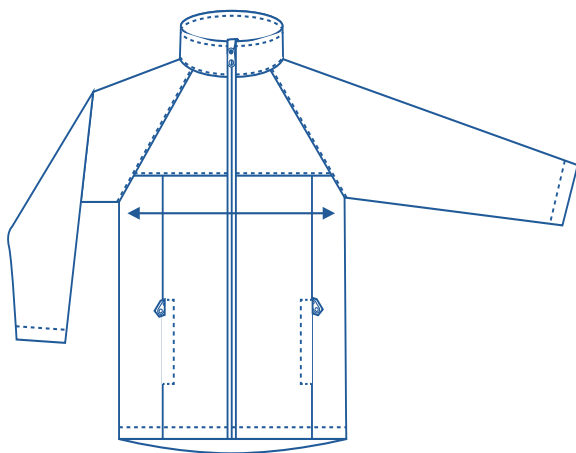


# SIZE CHART

## Soft Shell Jacket

Size	10	12	14	S	M	L	XL	2XL	3XL
1/2 Chest	51.5	53.5	56	56	58.5	61	63.5	66	68.5

## How to select your size:



- 1.** Find a similar fitting garment to the item you wish to purchase.
- 2.** Lay the garment flat on a hard surface.
- 3.** Measure the chest in centimetres as outlined in the diagram.
- 4.** Select the size closest to your measurement - we recommend selecting the larger size if your measurement is in between sizes.

### Note:

- Exchange is available for incorrect size selection.
- Not all sizes are carried - for sizes not carried, contact the Uniform Shop to organise a Special Make-Up Order.