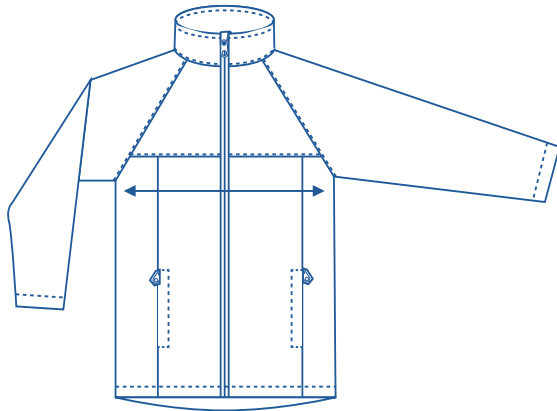


SIZE CHART



Soft Shell Jacket														
Size	J4	J6	J8	J10	J12	J14	S	M	L	XL	2XL	3XL	4XL	
1/2 Chest	38	40.5	43	46.5	50	53.5	56	58.5	61	63.5	66	68.5	71.5	

How to select your size:



- 1.** Find a similar fitting garment to the item you wish to purchase.
- 2.** Lay the garment flat on a hard surface.
- 3.** Measure the chest in centimetres as outlined in the diagram.
- 4.** Select the size closest to your measurement - we recommend selecting the larger size if your measurement is in between sizes.

Note:

- Exchange is available for incorrect size selection.
- Not all sizes are carried - for sizes not carried, contact the Uniform Shop to organise a Special Make-Up Order.